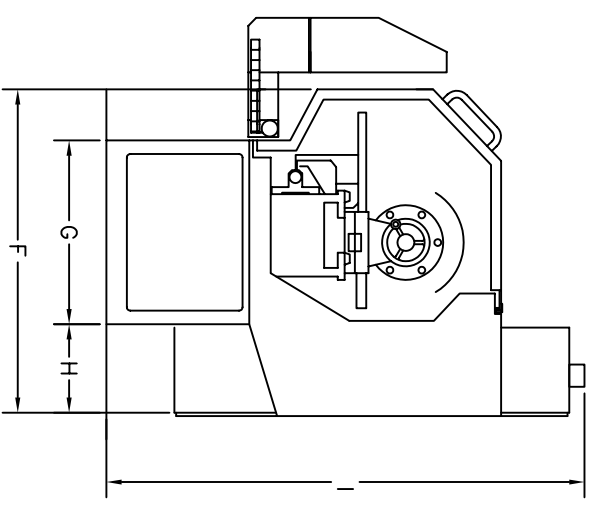
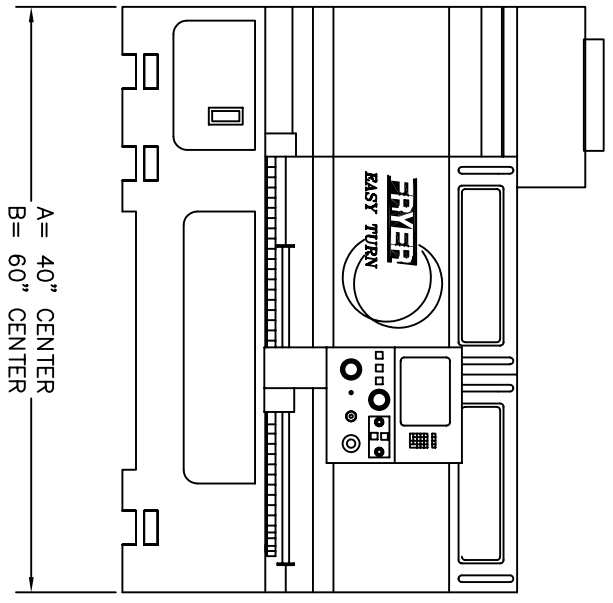
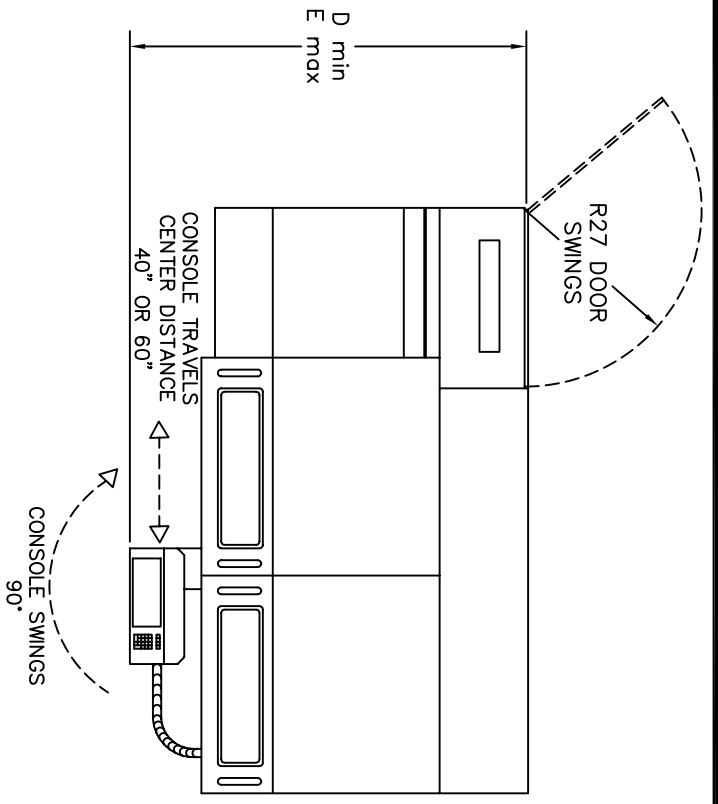


MACHINE SPECIFICATION

REF	ET 14	ET 18	ET 21	ET 25
A	85	88	88 *	88 *
B	N/A	108 *	108	108
D	58	65	65	65
E	65	70	70	70
F	45	52	52	52
G	20	27	27	27
H	15.5	15.5	15.5	15.5
I	70	73	73	73
MACHINE WEIGHT APPROXIMATE	4,500	6,500	7,500	8,500
	N/A	7,000*	7,000*	8,000*

DIMENSIONS ARE IN INCH
 MACHINE WEIGHT IS BASED ON STANDARD CENTER DISTANCE
 * OPTIONAL MACHINE CENTER DISTANCE



FRYER EASY TURN 14-25

CNC LATHE

SIZE	DATE	DRAWING NAME	REV
A	1/31/06	ET-14-25 FLOORPLAN REV2.DWG	2

SCALE NONE DRAWN BY: C.J. POLLACK SHEET 1 OF 1

FRYER MACHINE SYSTEMS

Robin Hill Corporate Park
 Patterson, New York 12563
 Phone: (845) 878-2500 Fax: (845) 878-2525

REQUIREMENTS:
 Rj-11 PHONE PLUG
 AIR: 90PSI 4CFM
 POWER RATING MAY CHANGE DUE TO OPTIONS
 REFER TO ELECTRICAL SPEC DOCUMENTATION