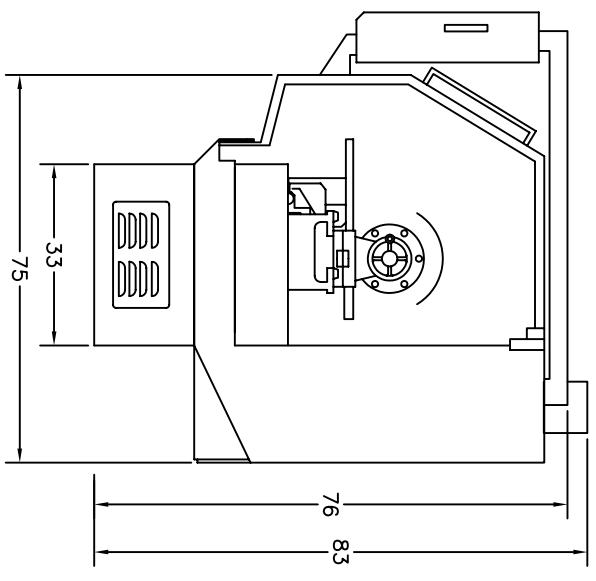
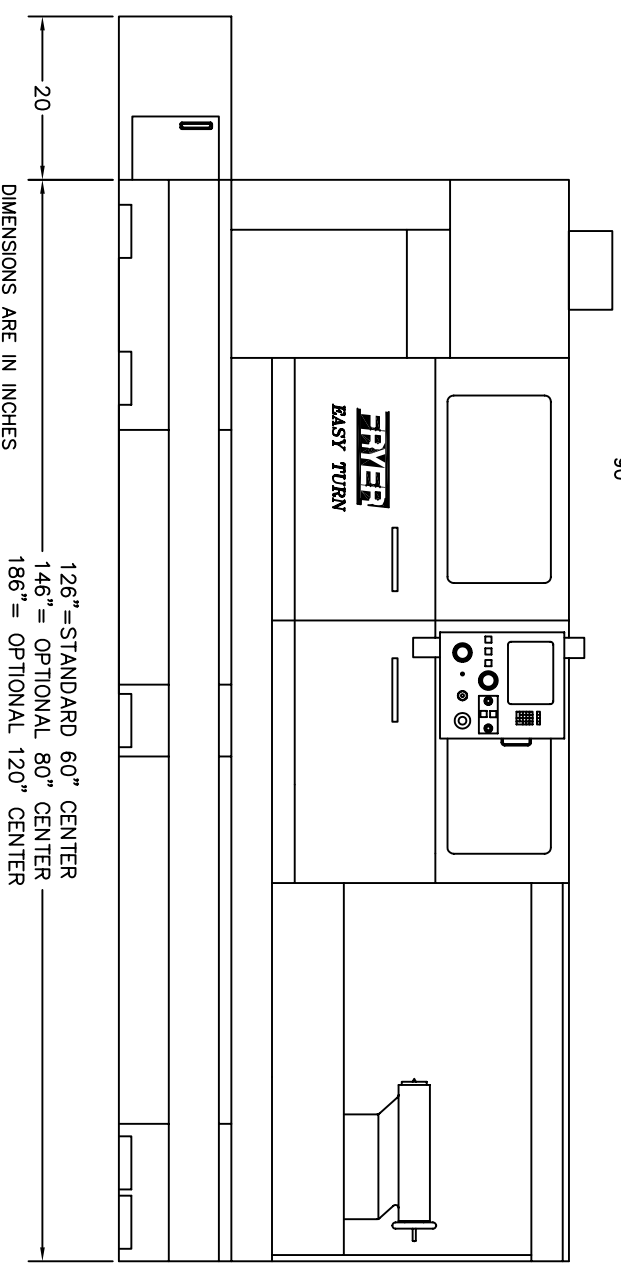
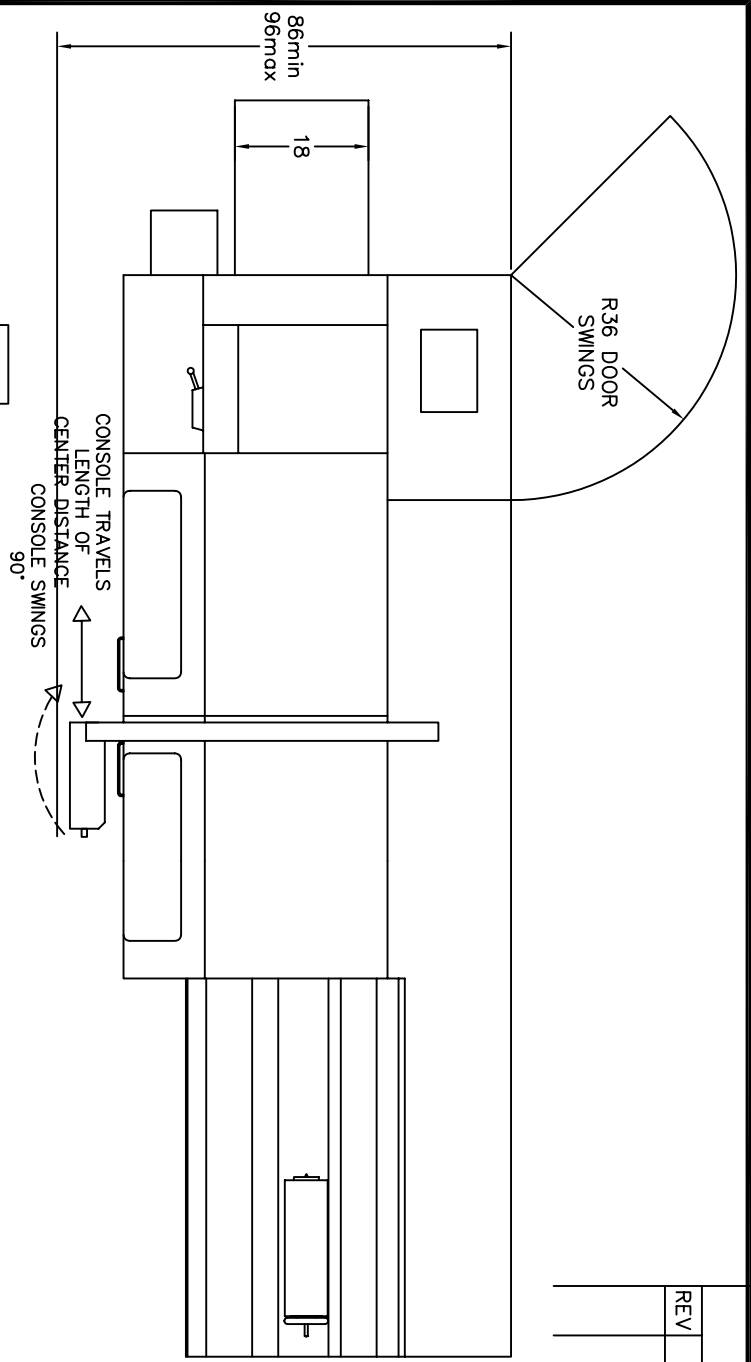


REVISION HISTORY			
REV	DESCRIPTION	APPROVAL	DATE



REQUIREMENTS:
Rf-11 PHONE PLUG (FOR T2000 ONLY)

FRYER EASY TURN-30 & 40

SIZE	DATE	DRAWING NAME	REV
A	03/16/06	ET30-40FLOORPLANR2	2
SCALE	NONE	DRAWN BY: C.J. POLLACK	SHEET 1 OF 1

FRYER MACHINE SYSTEMS

Robin Hill Corporate Park
Patterson, New York 12563
Phone: (845) 878-2500 Fax: (845) 878-2525