

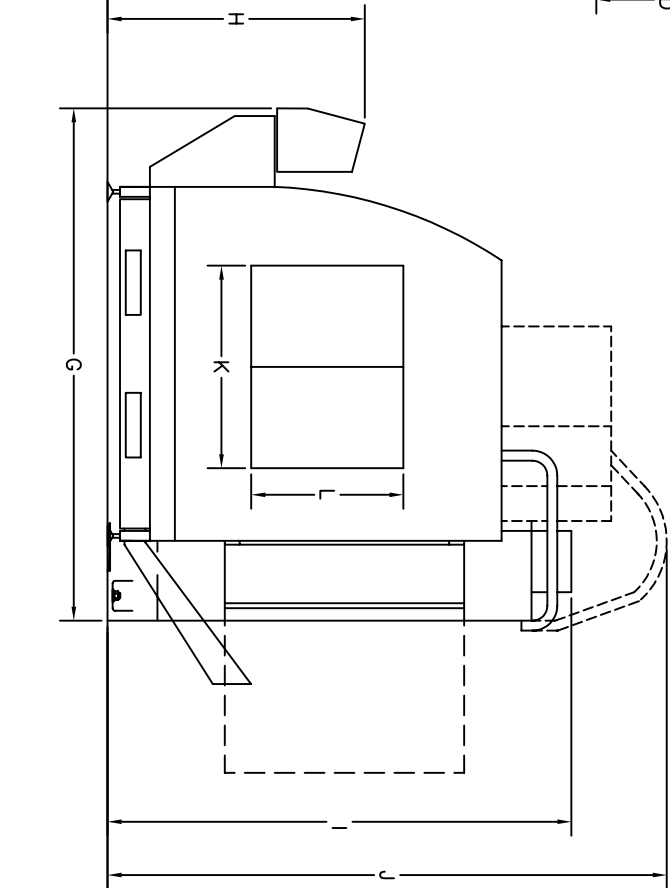
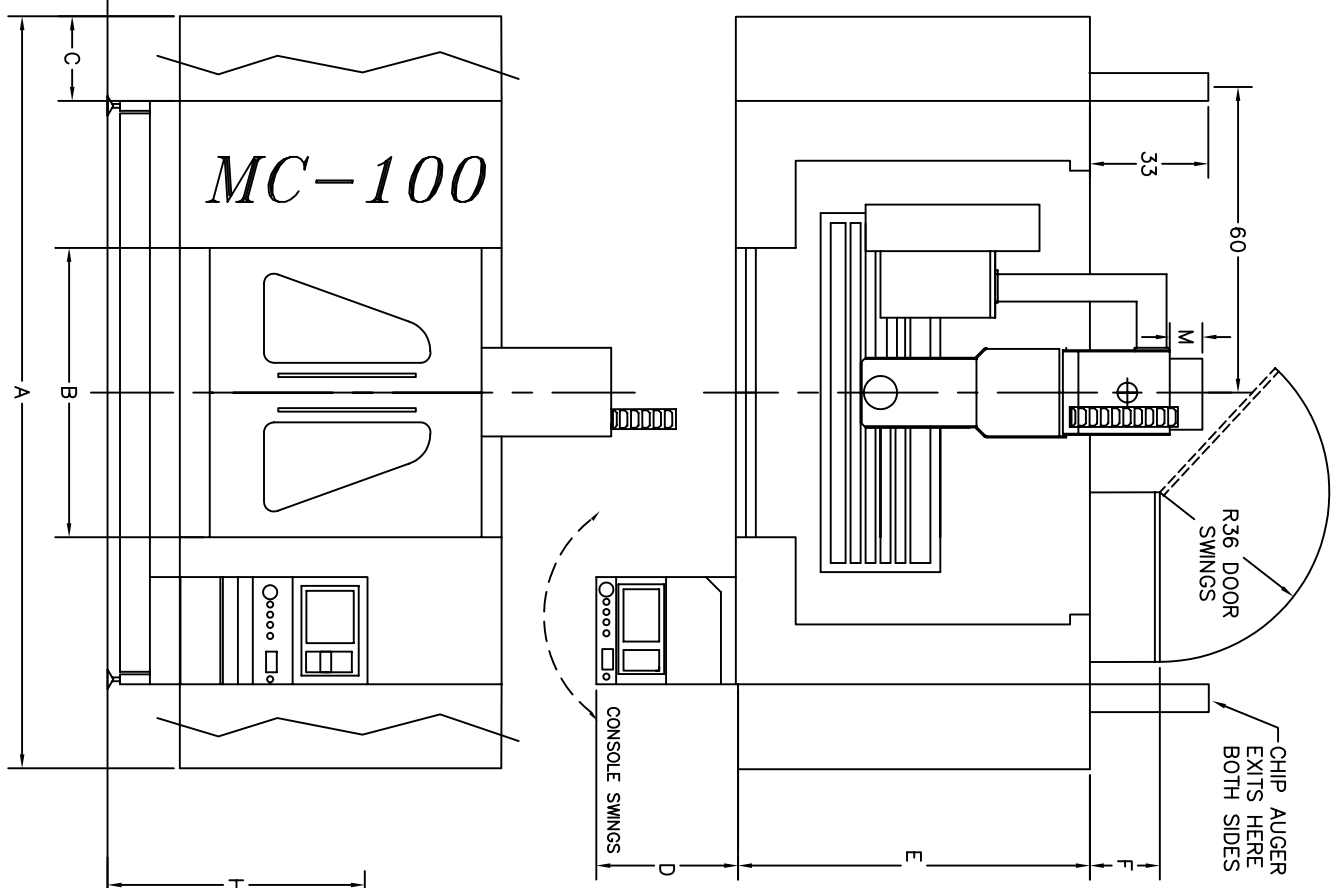
REQUIREMENTS:
 AIR: 90PSI 4CFM

POWER RATING MAY CHANGE DUE TO OPTIONS
 REFER TO ELECTRICAL SPEC DOCUMENTATION

MC-100P CNC Mill		SIZE	DATE	DRAWING NAME	REV
P	2/23/06	2	2/23/06	MC-100 FLOORPLAN R2.dwg	2
SCALE	NONE	DRAWN BY:	C.J. POLLACK	SHEET 1	OF 1

FRYER MACHINE SYSTEMS

Robbin Hill Corporate Park
 Patterson, New York 12563
 Phone: (845) 878-2500 Fax: (845) 878-2525



DIMENSIONS ARE IN INCH

MACHINE WEIGHT
 APPROXIMATE 26000 LBS.

REF	MACHINE SPECIFICATION
A	275
B	70
C	68
D	20
E	84
F	20
G	124
H	60
I	95
J	116
K	47
L	31
M	8