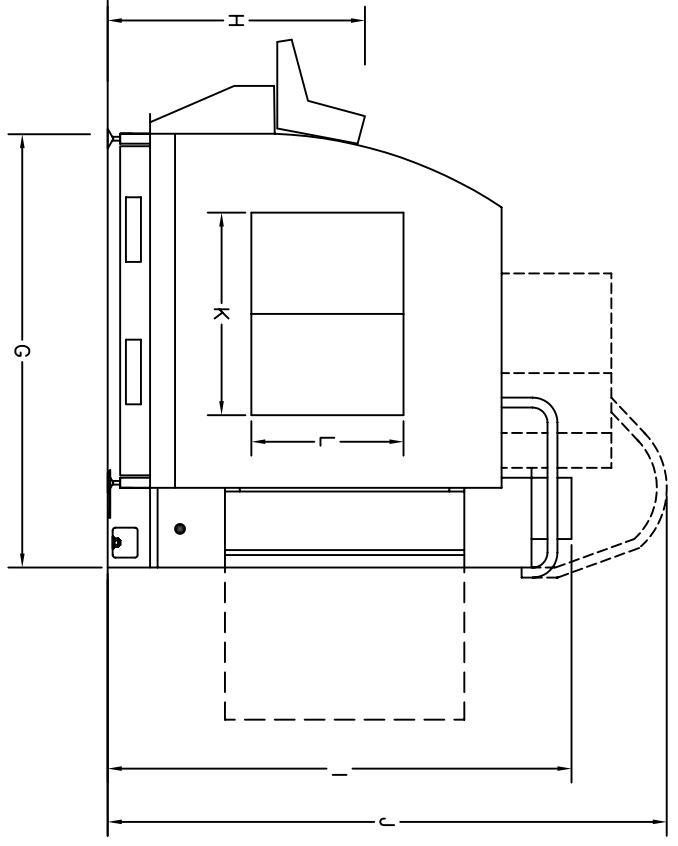
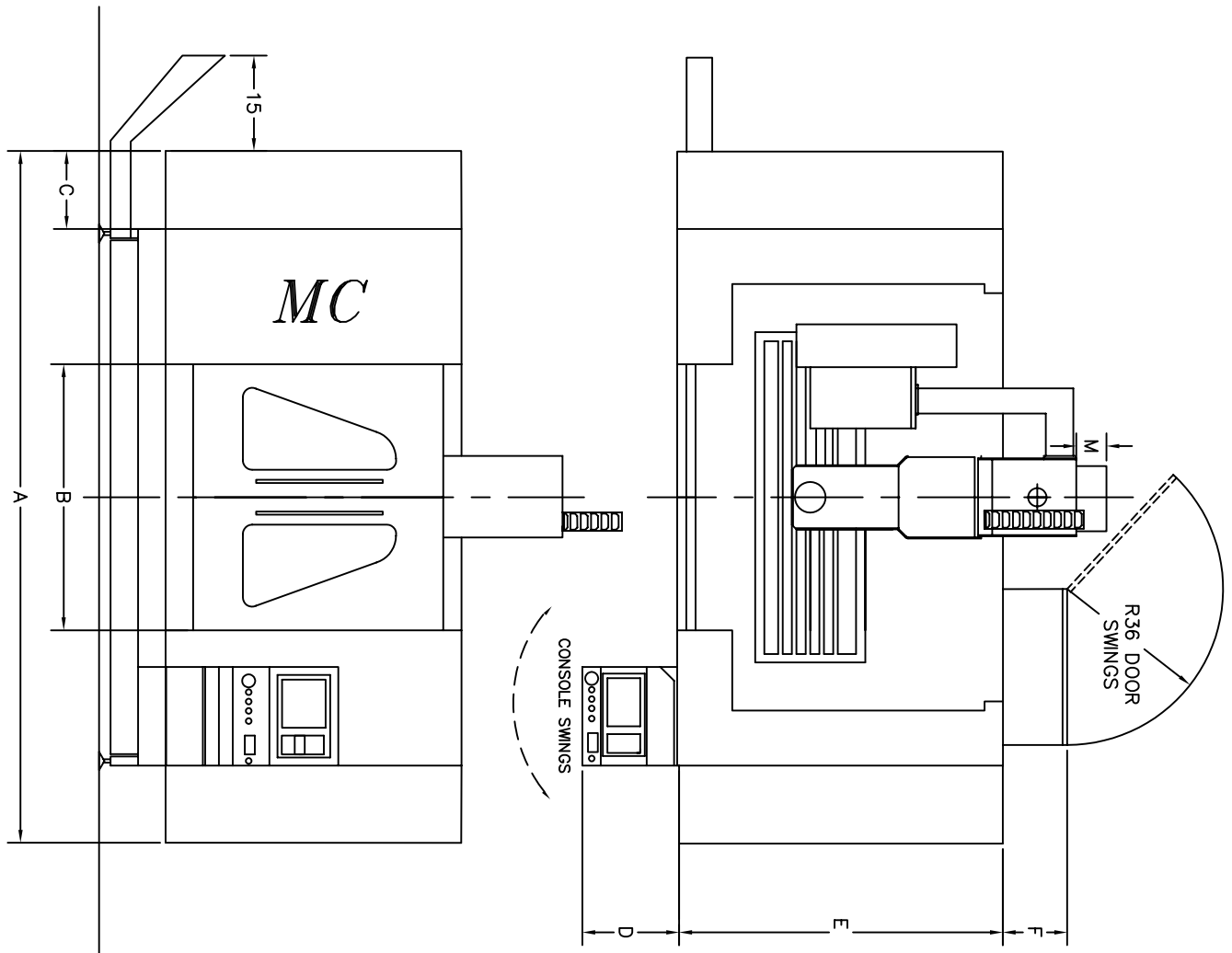


MACHINE SPECIFICATION				
REF	MC 30	MC 45	MC 60	
A	96	126	161	
B	31	31	52.5	
C	22	22	21.75	
D	29	29	29	
E	68	68	68	
F	20	20	20	
G	88	88	88	
H	60	60	60	
I	90	90	95	
J	111	111	116	
K	45	45	45	
L	30	30	30	
M	10	10	8	
MACHINE WEIGHT APPROXIMATE		13,500	14,500	20,000

DIMENSIONS ARE IN INCH



REQUIREMENTS:  
AIR: 90PSI 4CFM

POWER RATING MAY CHANGE DUE TO OPTIONS  
REFER TO ELECTRICAL SPEC DOCUMENTATION

# MC-P 30-60

CNC Mill

SIZE	DATE	DRAWING NAME	REV
P	1/22/07	MC-P 30-60 FLOORPLAN R3	3
SCALE	NONE	DRAWN BY: C.J. POLLACK	SHEET 1 OF 1



Robbin Hill Corporate Park  
Patterson, New York 12563  
Phone: (845) 878-2500 Fax: (845) 878-2525