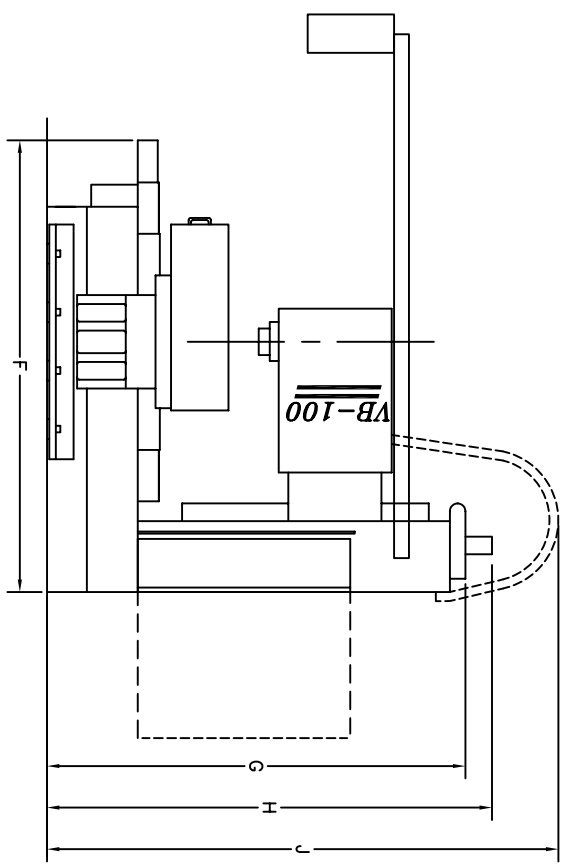
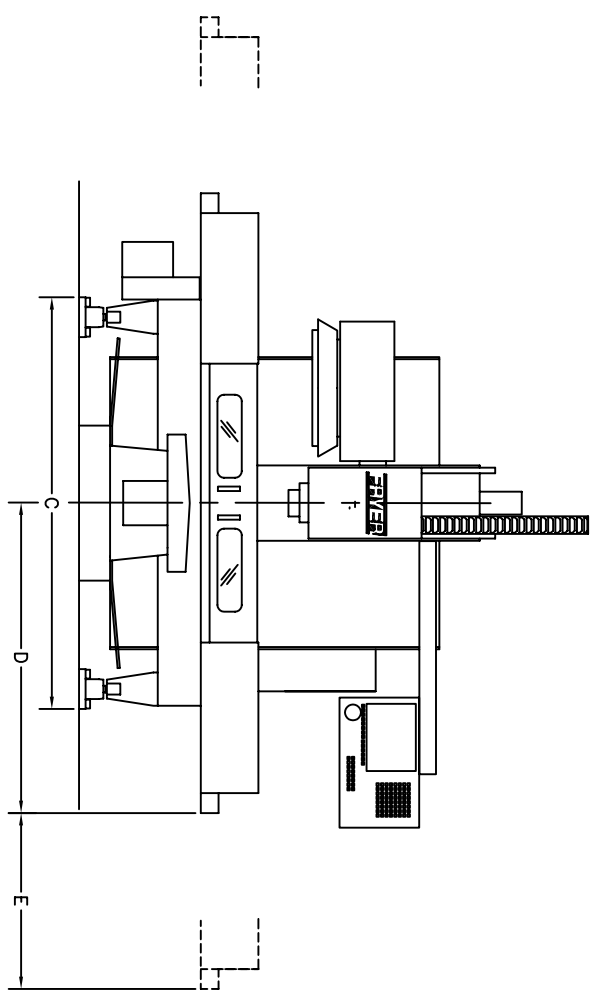


MACHINE SPECIFICATION	
REF	VB 80 VB 100
A	135 135
B	27 27
C	96 120
D	70 84.5
E	40 50.5
F	102 102
G	95 95
H	101 101
J	116 116
MACHINE WEIGHT APPROXIMATE	
	18,500 20,500

DIMENSIONS ARE IN INCH



REQUIREMENTS:
AIR: 90PSI 4CFM

POWER RATING MAY CHANGE DUE TO OPTIONS
REFER TO ELECTRICAL SPEC DOCUMENTATION

VB 80 & 100

CNC Mill

SIZE	DATE	DRAWING NAME	REV
A	3/20/06	VB-80-100 FLOORPLAN_2.dwg	1
SCALE	none	DRAWN BY: C.J.POLLACK	SHEET 1 OF 1



Robin Hill Corporate Park
Patterson, New York 12563
Phone: (845) 878-2500 Fax: (845) 878-2525