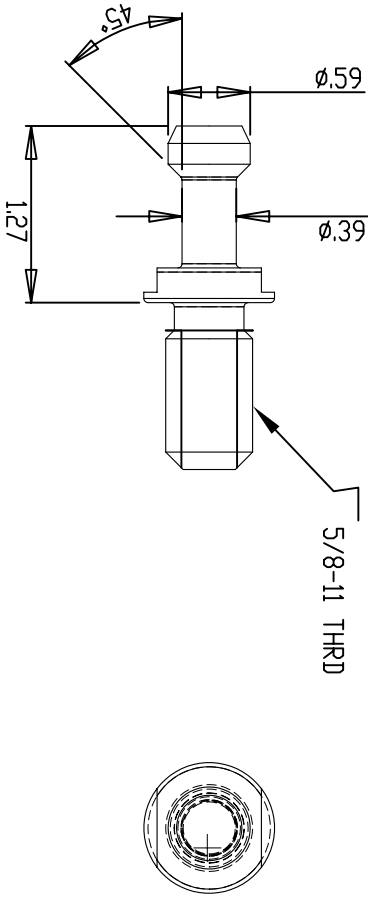
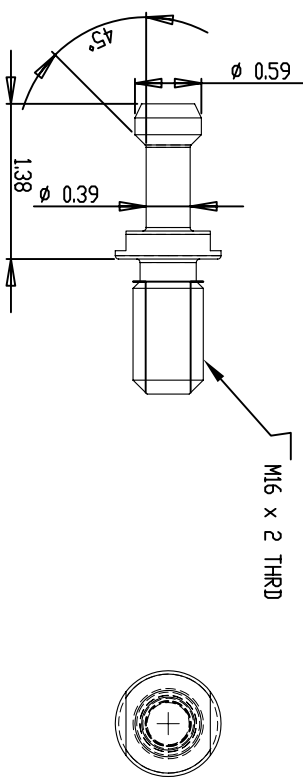


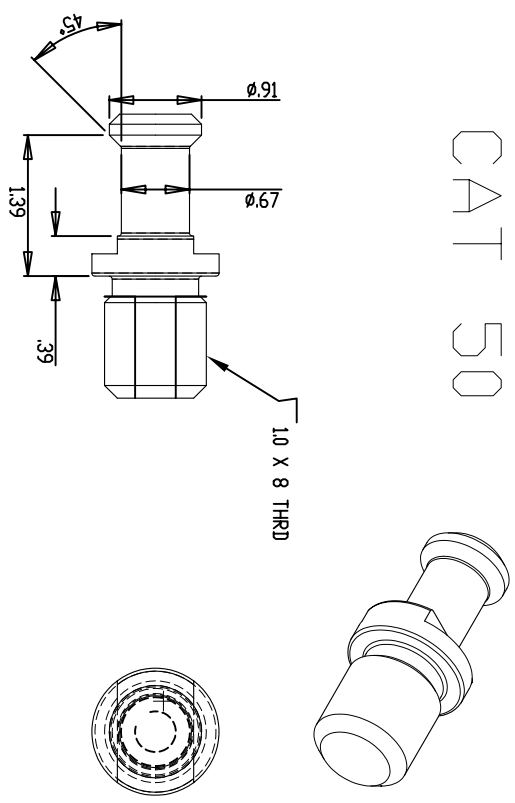
CAT 40



BT 40



CAT 50



FRYER PART NUMBERS

- CAT 40
TOL-5450
- BT 40
TOL-5456
- CAT 50
TOL-5454

NOTE:
IF THRU COOLANT IS NEEDED, PLEASE CALL FOR PROPER
PART NUMBER

VIEW
PROJECTION



ALL DIMENSIONS ARE IN INCHES
UNLESS OTHERWISE SPECIFIED.
THEY ARE FINISHED END USE.

GENERAL TOLERANCES ARE:

- .XXX = ± .005
- .XX = ± .015
- ANGLES ± 1°

UNLESS OTHERWISE SPECIFIED

RETENTION KNOBS

Fryer MC, VB, & MB-10

SIZE	DATE	DRAWING NAME	REV
A	9/6/05	RETENTION STUDS	2
SCALE	NONE	DRAWN BY: C.J. Pollock	SHEET 1 OF 1



Robin Hill Corporate Park
Patterson, New York 12563
Phone: (845) 878-2500 Fax: (845) 878-2525