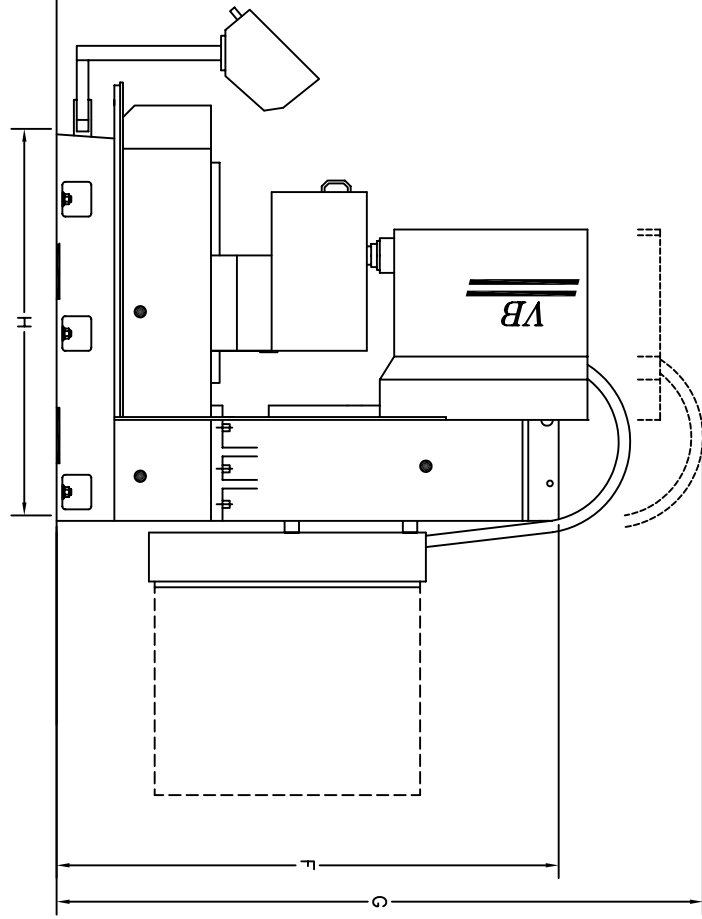
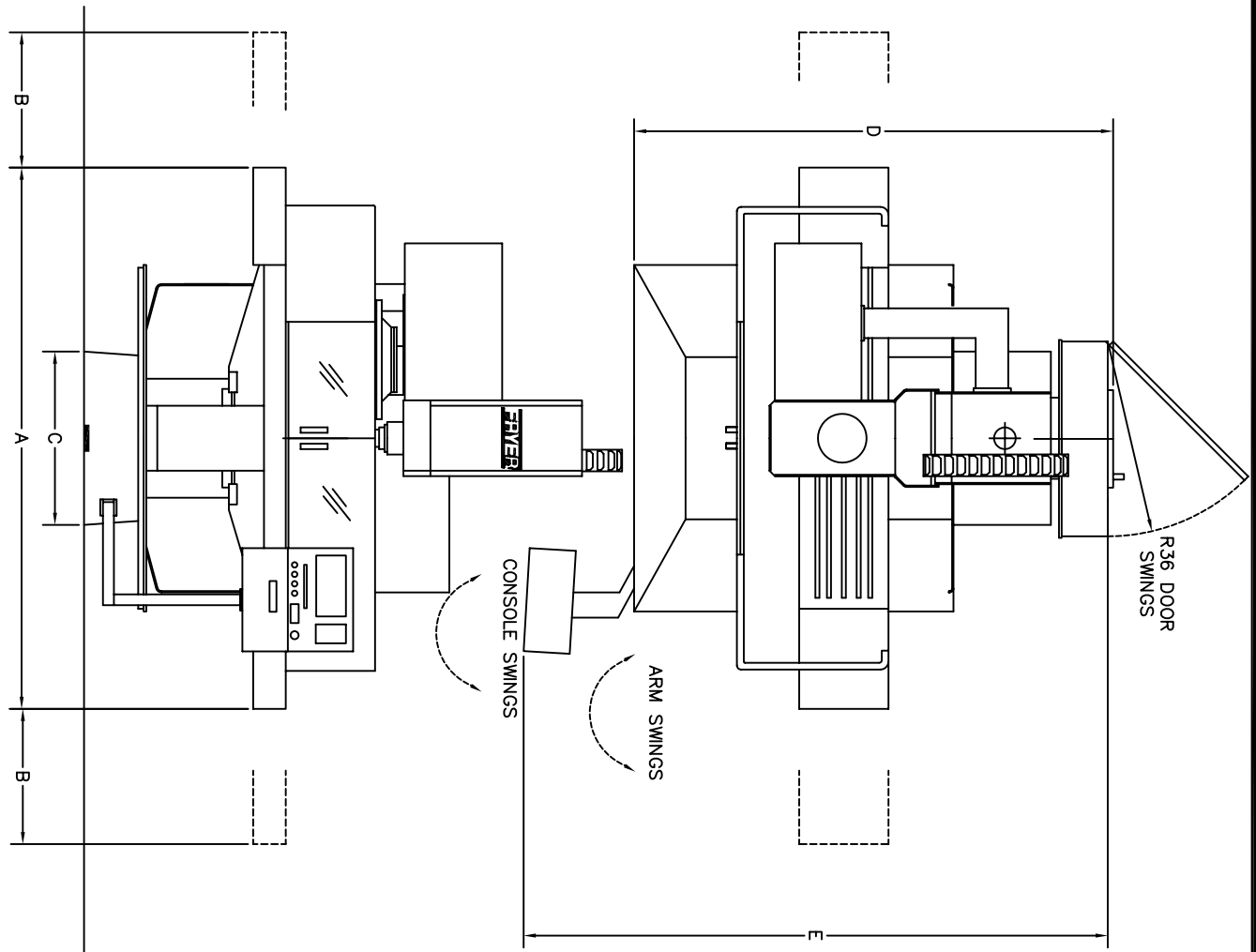


R36 DOOR SWINGS



MACHINE SPECIFICATION				
REF	VB 40	VB 50	VB 60	
A	82	93	113	
B	20	25	30	
C	27	36	36	
D	80	106	106	
E	108	142	142	
F	87	91	91	
G	106	120	120	
H	58	77	77	
MACHINE WEIGHT APPROXIMATE		9,500	14,000	15,000

DIMENSIONS ARE IN INCH

REQUIREMENTS:
AIR: 90PSI 4CFM

POWER RATING MAY CHANGE DUE TO OPTIONS
REFER TO ELECTRICAL SPEC DOCUMENTATION

VB 40-60

CNC MILL

SIZE	DATE	DRAWING NAME	REV
A	2/8/06	VB-40-60 FLOORPLAN	2
SCALE	NONE	DRAWN BY: C.J. POLLACK	SHEET 1 OF 1

FRYER MACHINE SYSTEMS

Robb Hill Corporate Park
Patterson, New York 12563
Phone: (845) 878-2500 Fax: (845) 878-2525